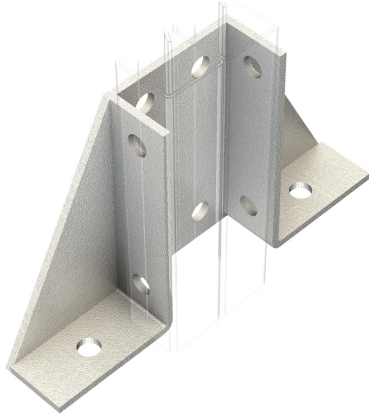


**PRODUCT CODE: MP37**  
CHANNEL BRACKET



**DESCRIPTION**

Double Channel Gusset Base Plate

**FINISH**

Hot Dipped Galvanised

**MATERIAL**

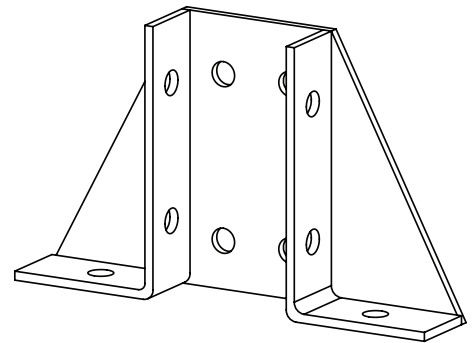
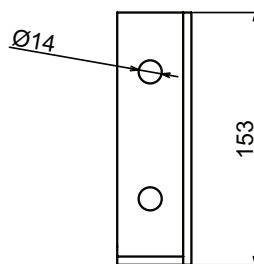
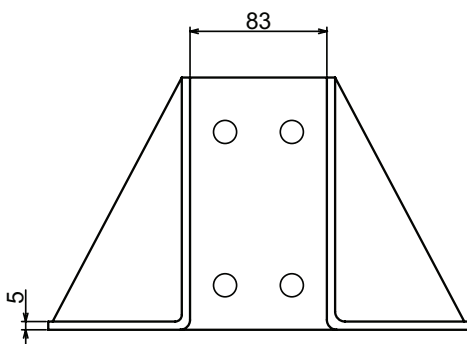
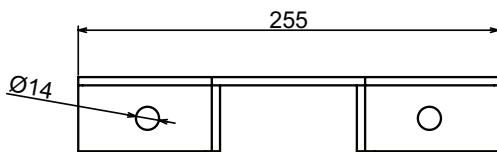
Steel

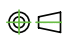
**PACKAGING**

Packed in qty 1

**ADDITIONAL NOTES**

Compliant to LU Standard 1-085 (for use on surface & sub-surface locations)



 Values are nominal and with a general tolerance  $\pm 5\%$  unless otherwise specified